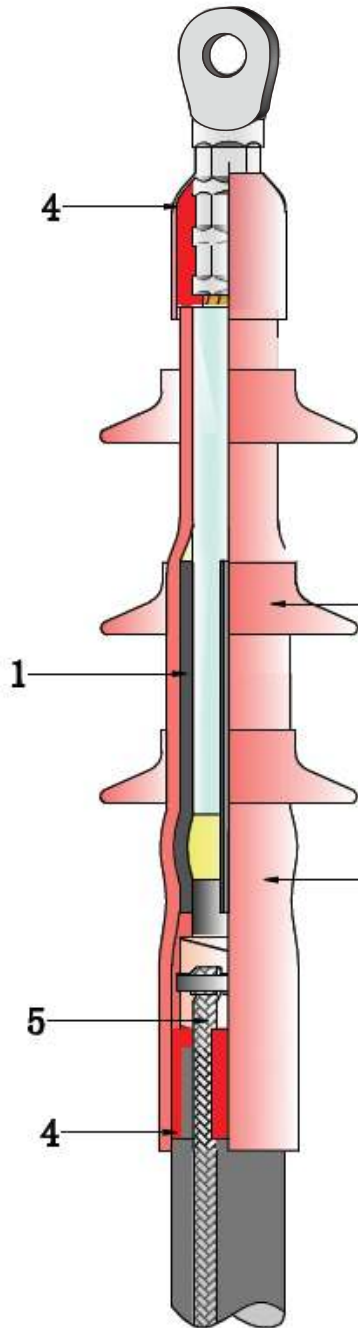


RSNY/RSWY Heat Shrink Termination For MV Cables Up To 42kV



Design of Termination

Woer provides a universal system for indoor and outdoor terminations applicable to paper or polymeric insulated cables.

1. Electrical Stress Control

Yellow stress relief mastic is laid around the end of the screen cut. Stress control tube, together with stress relief mastic, is used to smooth out the electrical field at the cable end.

2. Excellent Anti-tracking Properties

Anti-tracking insulation tubes and rain sheds demonstrate excellent tracking and erosion resistance. This protect Woer terminations from tracking even in severe service conditions.

3. Additional Creepage

Anti-tracking rain sheds lengthen surface creepage distance.

4. Moisture Sealing

Durable sealing is achieved by hot-melted adhesive inside the sealing tube and anti-tracking insulation tube. For 3-core cables, the crutch area is sealed and protected with an adhesive-coated breakout which is installed over the cores and the end of oversheath.

5. Earth Connection

Either soldering or solderless earth connection is available to connect metal screen or armour to ground. For cables with wire screen, copper wires are imbedded in the sealing mastic to prevent any corrosion and moisture sealing.



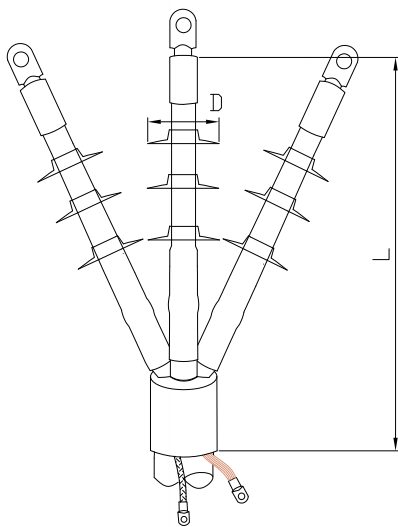
RSWY-3

Outdoor termination for screened, 3-core polymeric insulated cables 6kV, 10kV, 20kV, 30kV and 35kV



The outdoor termination is designed for screened three core polymeric insulated MV cables up to 35kV.

Yellow stress relief mastic is laid around the end of the screen cut. Stress control tube, together with stress relief mastic, is used to smooth out the electrical field at the cable screen end. All phase cores are covered with anti-tracking insulation tube and sealing tube. Anti-tracking rain sheds lengthen surface creepage distance to ensure safety. The crutch area is sealed and protected with an adhesive-coated breakout which is installed over the cores and the end of oversheath.



Nominal voltage $U_o/U(U_m)$	Cross section (mm ²)	Kit No.	Dimensions(mm)		No. of rain sheds
			L	D	
3.6 / 6(7.2)kV	25-50	6kVRSWY-3/1	900	105	6
	70-120	6kVRSWY-3/2		105	
	150-240	6kVRSWY-3/3		105	
	300-400	6kVRSWY-3/4		105	
	500-630	6kVRSWY-3/5		140	
6 / 10(12)kV 6.35 / 11(12)kV 8.7 / 15(17.5)kV	25-50	10kVRSWY-3/1	900	105	6
	70-120	10kVRSWY-3/2		105	
	150-240	10kVRSWY-3/3		105	
	300-400	10kVRSWY-3/4		105	
	500-630	10kVRSWY-3/5		140	
12 / 20(24)kV 12.7 / 22(24)kV	35-50	20kVRSWY-3/1	900	105	12
	70-120	20kVRSWY-3/2		105	
	150-240	20kVRSWY-3/3		105	
	300-400	20kVRSWY-3/4		140	
	500-630	20kVRSWY-3/5		140	
18 / 30(36)kV 19 / 33(36)kV	35-50	30kVRSWY-3/1	1100	105	18
	70-120	30kVRSWY-3/2		105	
	150-240	30kVRSWY-3/3		140	
	300-400	30kVRSWY-3/4		140	
	500-630	30kVRSWY-3/5		140	
20.8 / 36(42)kV 26 / 35(42)kV	50	35kVRSWY-3/1	1100	140	18
	70-120	35kVRSWY-3/2		140	
	150-240	35kVRSWY-3/3		140	
	300-400	35kVRSWY-3/4		140	
	500-630	35kVRSWY-3/5		140	

Note:

1. Lugs need to be ordered separately.
2. RSWY-3 is for cables with copper wire screen without armour.
3. For cables with other construction, please order kits separately.