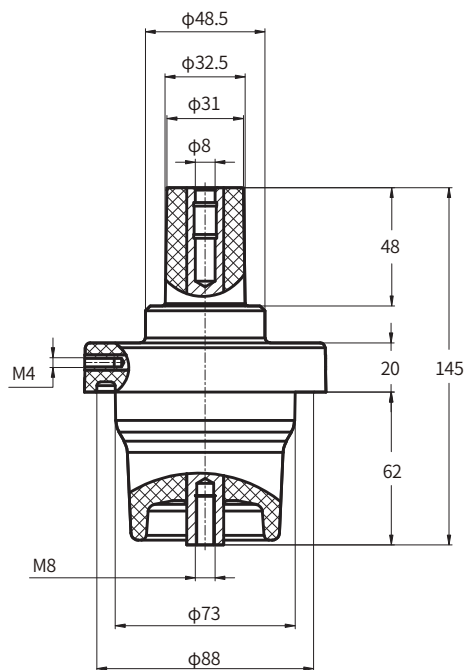


# WEATG-CQ12/250

## 250A Apparatus Bushing

### Features

- Manufactured from high quality epoxy resin
- Meeting requirements of EN 50180 & EN 50181 type A
- 100% factory tested
- Tested in compliance with GB/T 4109 (IEC60137 6.0)



Dimension: mm

### Technical Data

<b>Voltage Class</b>	12kV
<b>Continuous Current</b>	250A
<b>AC Withstand Voltage</b>	42kV for 1min
<b>Partial Discharge</b>	13.2kV, 10pC
<b>Impulse Withstand Voltage (10 times for each polarity)</b>	75kV