

### Type/Applications:

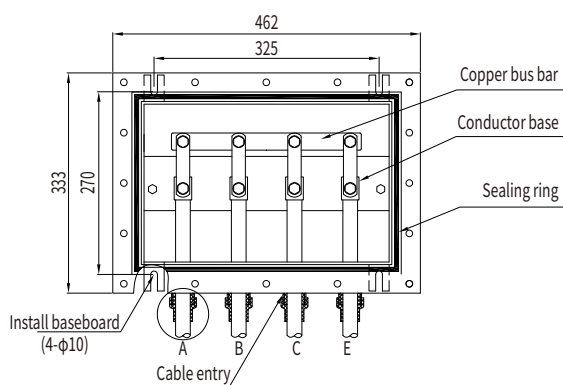
Type/Applications:

Link Box: WJD

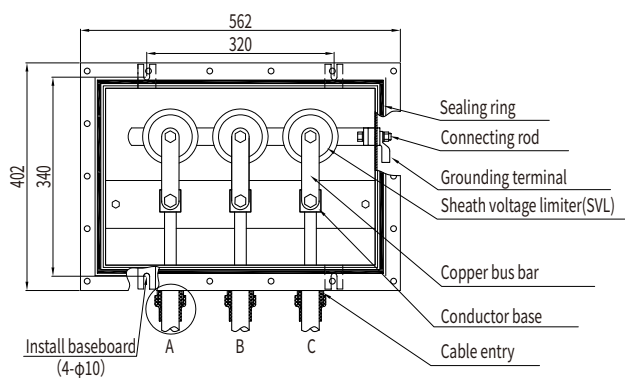
Link Box with SVL: WHJD

Link Box/Link Box with SVL is used for directly grounding or grounding protecting of high-voltage cable metal sheath. With stainless steel enclosure. Link Box/Link Box with SVL could be filled by resin inside, making it non-removable, fully sealed and theft-proof. At the mean time, Link Box/Link Box with SVL is volume-small, weight-light, installation-easy.

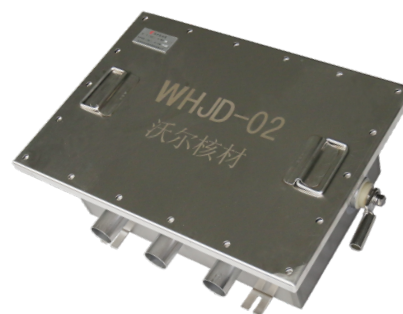
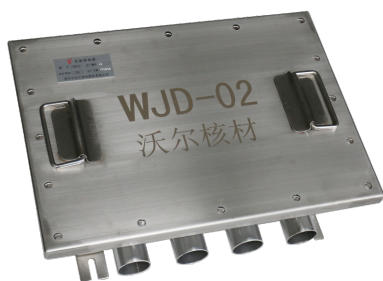
### Structure Diagram



Box height:130mm



Box height:200mm



Link Box



Link Box with SVL